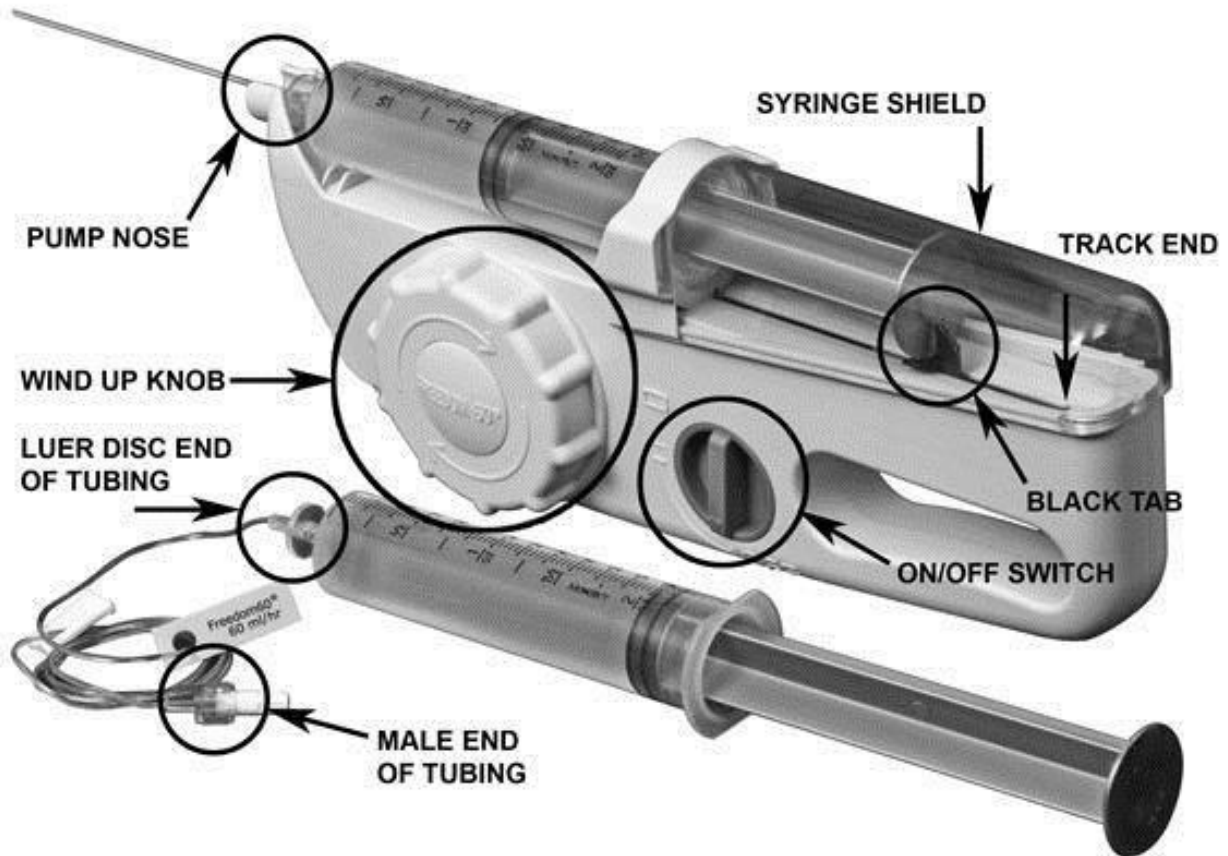


## MEDICATION ADMINISTRATION VIA FREEDOM 60 PUMP

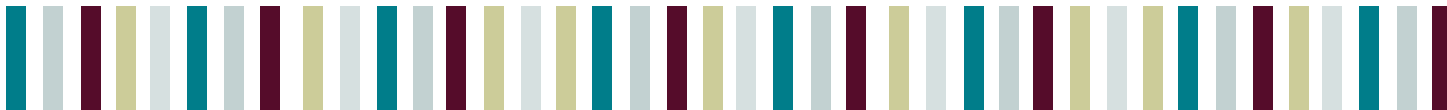


### SUPPLIES:

- Medication Syringe
- Freedom 60 tubing (tubing to be changed DAILY)
- (2) Sodium Chloride (Saline) prefilled syringes
- (1) Heparin prefilled syringe (if indicated)
- (1) Light Blue protective cap
- Alcohol or antiseptic wipes

### PROCEDURE:

1. Clean work area. Wash Hands thoroughly. Gather supplies.
2. Prepare your prefilled syringes for flushing your IV Catheter as instructed by your nurse.
3. **Verify that tubing is labeled with correct rate and clearly marked "Freedom 60 tubing."** Remove tubing from package.

**\*IMPORTANT SAFETY ALERT:**

TO AVOID RAPID INFUSION OF YOUR MEDICATION, OR AN ERROR, PLEASE VERIFY THE TUBING RATE ON PACKAGE AND CONFIRM IT IS LABELED "FREEDOM 60" TUBING BEFORE INFUSING YOUR MEDICATION. **Rate on tubing package must match the prescribed rate on medication label of syringe.**

4. Attach the FREEDOM tubing to the end of medication syringe.
5. Ensure the Freedom pump is in the off position and the black tab is at the end of its track. To move the black tab, wind the large knob clockwise until click is heard. **DO NOT OVERWIND.**

**MEDICATION ADMINISTRATION:**

6. Insert the medication syringe with tubing attached, plunger end first into the clear cover on the pump. Ensure leur disk end of tubing is firmly seated in the nose of the pump. (See illustration)
7. Prime the Freedom tubing by turning pump to ON position UNTIL a drop of fluid is noted at end of tubing. **NOTE: Hold the syringe in place UNTIL the black tab engages with syringe to prevent disengagement.**
8. Clean the injection cap on the end of your IV catheter with an alcohol/antiseptic wipe vigorously for 30 seconds and let air dry for 60 seconds.
9. Attach a prefilled Sodium Chloride/Saline syringe to the injection cap of your IV catheter and flush the IV catheter as instructed by your nurse.
10. Disconnect the syringe from the injection cap of your IV catheter and discard.
11. Clean the injection cap on the end of your IV catheter with a new alcohol/antiseptic wipe vigorously for 30 seconds and let air dry for 60 seconds.
12. Remove protective cap from the end of the Freedom 60 tubing and attach tubing to the injection cap on the end of your IV catheter.  
**\*\*Be careful to avoid touching the tip of the tubing\*\***
13. Administer medication via Freedom pump per your Chartwell Plan of Treatment, monitoring infusion progress while medication is being dispensed. **Note:** Pump is silent during medication infusion.

**AT THE END OF THE INFUSION:**

14. When syringe is empty, Infusion is complete. Turn pump to Off Position.
15. Disconnect the tubing from the injection cap of your IV catheter.



16. If another dose of medication is to be administered the **same** day, place a light blue protective cap on the end of the tubing, keeping it sterile.  
  
**\*\*NOTE: The Freedom 60 tubing is to be changed DAILY. You will reuse the tubing when administering more than one infusion per day by attaching a new medication syringe.**
17. Clean the injection cap on the end of your IV catheter with an alcohol/antiseptic wipe vigorously for 30 seconds and let air dry for 60 seconds.
18. Attach a prefilled Sodium Chloride/Saline syringe to the injection cap of your IV catheter and flush the IV catheter as instructed by your nurse.
19. Disconnect the syringe from the injection cap of your IV catheter and discard.

**IF YOUR IV CATHETER REQUIRES USE OF HEPARIN:** Complete steps 20-22, otherwise skip to Step 23

20. Clean the injection cap on the end of your IV catheter with a new alcohol wipe vigorously for 30 seconds and let air dry for 60 seconds.
21. Attach a prefilled syringe of Heparin to the injection cap of your IV catheter and flush your IV catheter as instructed by your nurse.
22. Disconnect the syringe from the injection cap of your IV catheter and discard.
23. Rewind the knob clockwise, moving the black tab to the end of the track.
24. Remove the empty medication syringe from the pump. Leave the empty syringe attached to the tubing. (Discard syringe and tubing if all infusions are completed for the day.)

**\*\*All Supplies and waste can be double bagged and disposed of with your household garbage\*\***

**SASH FLUSH PROCEDURE:**

- S** Sodium Chloride \_\_\_ ml
- A** Administer medication as instructed by your nurse
- S** Sodium Chloride \_\_\_ ml
- H** Heparin \_\_\_ ml (if required)